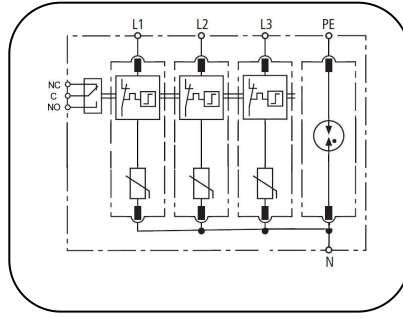
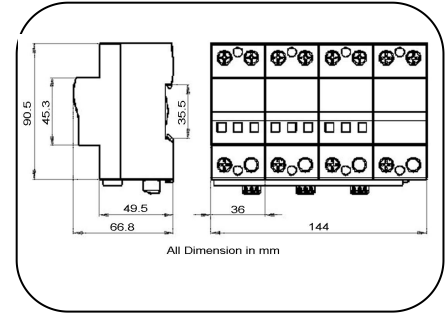


**SURGE ARRESTERS – CLASS II**

**DT200/xxx-(3V+T)(-S)**



Basic circuit diagram



Dimension drawing

Type 2 AC surge arrester designed for low-voltage power supply system protection against surges at the boundaries from lightning protection zone 1-2 and higher.

- Comply with IEC 61643-11. apply to TT and TN systems (“3+1” circuit)
- High Discharge Capacity with 8/20 us waveform, I<sub>max</sub> 200kA
- Reliable supervision due to disconnection device
- Fast response
- Visual status indication and remote signal contact available

Part No.		DT200/150-(3V+T)(-S)	DT200/175-(3V+T)(-S)	DT200/275-(3V+T)(-S)	DT200/300-(3V+T)(-S)	DT200/320-(3V+T)(-S)	DT200/385-(3V+T)(-S)	DT200/420-(3V+T)(-S)	
In accordance with		IEC61643-11:2011; UL1449-4th							
Category IEC/VDE		II/ C							
Max. continuous operating voltage (AC/DC) U <sub>c</sub>	L – N(AC/DC)	150 /200	175 /225	275 /350	300 /385	320 /420	385 /505	420 /560	
	N – PE (AC)	150	150	255	255	255	255	255	
Nominal discharge current(8/20) I <sub>n</sub>	L-N	100kA							
	N-PE	100kA							
Max. discharge current(8/20) I <sub>max</sub>	L-N	200kA							
	N-PE	200kA							
Voltage protection level Up	L-N@In	<0.8kV	<0.8kV	<1.3kV	<1.4kV	<1.5kV	<1.8kV	<2.0kV	
	L-N@VPR	<0.5kV	<0.6kV	<1.0kV	<1.0kV	<1.1kV	<1.3kV	<1.4kV	
	N-PE (1.2/50)	<0.8KV	<0.8KV	<1.5KV	<1.5KV	<1.5KV	<1.5KV	<1.5KV	
Response time	L-N	≤25 ns							
	N-PE	≤100 ns							
Follow current	L-N	No							
	N-PE	Ifi: 100Arms @ 255Vac							
Backup fuse(only required if not already provided in mains)		500A gL/gG							
Operating temperature range		- 40°C ~ + 80°C							
Cross-section of connection wire		Single-strand 35mm <sup>2</sup> ; multi-strand 25mm <sup>2</sup>							
Mounting		35mm DIN-rail in accordance with EN 50022/DIN46277-3							
Enclosure material		thermoplastic; extinguishing degree UL94 V-0							
Degree of protection		IP20							
Installation width		8 modules, DIN 43880							
Thermal disconnecter		Internal red - failure							
Remote alarm contact		Optional							
Approvals, Certifications		CE							
<b>Additional data for Remote Alarm Contacts</b>									
Remote alarm contact type		Isolated Form C							
Switching capability Un/In		AC: 250V/0.5A				DC: 250V/0.1A; 125V/0.2A; 75V/0.5A			
Max. Size of connecting wire		Max. 1.5mm <sup>2</sup> (or # 16AWG)							